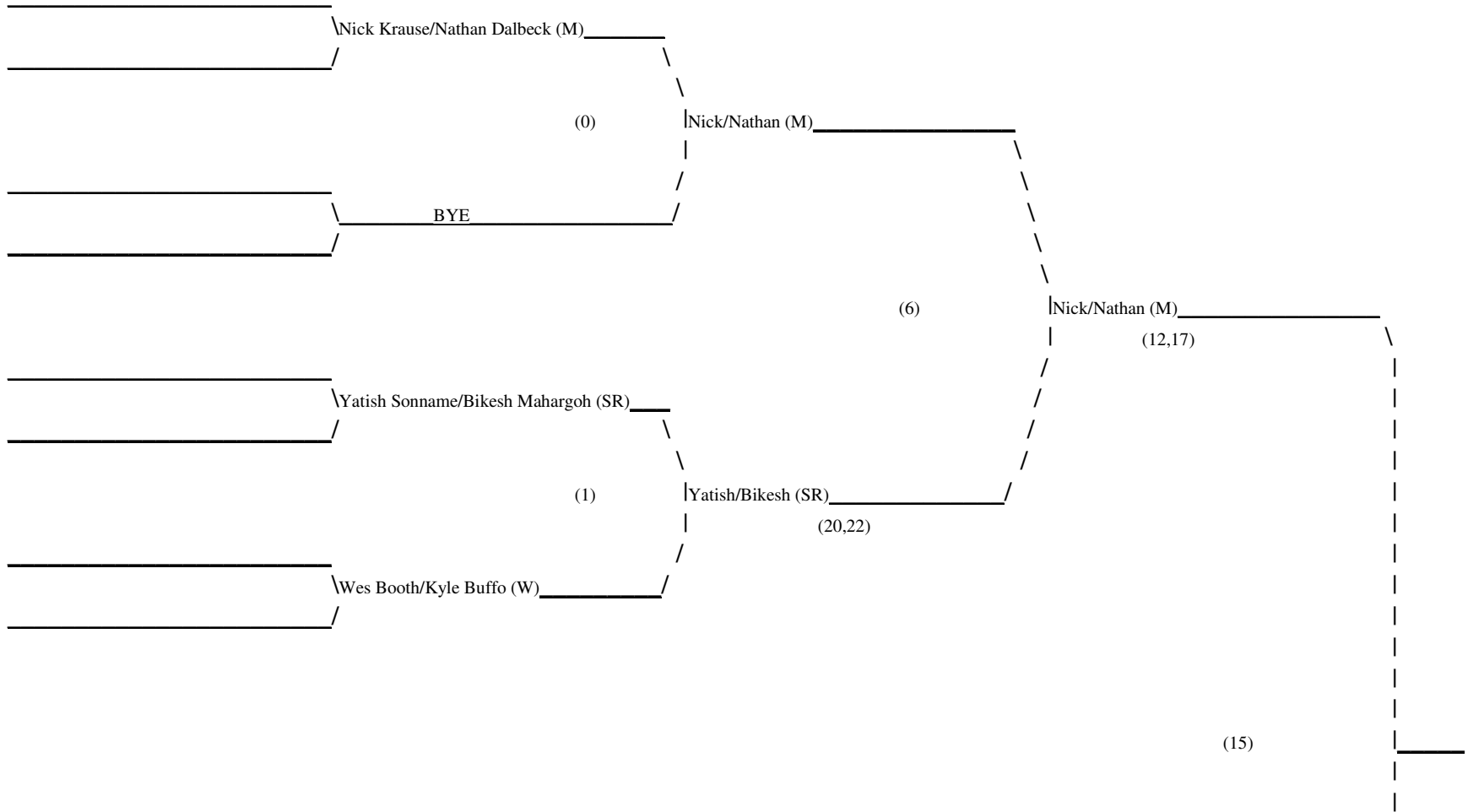
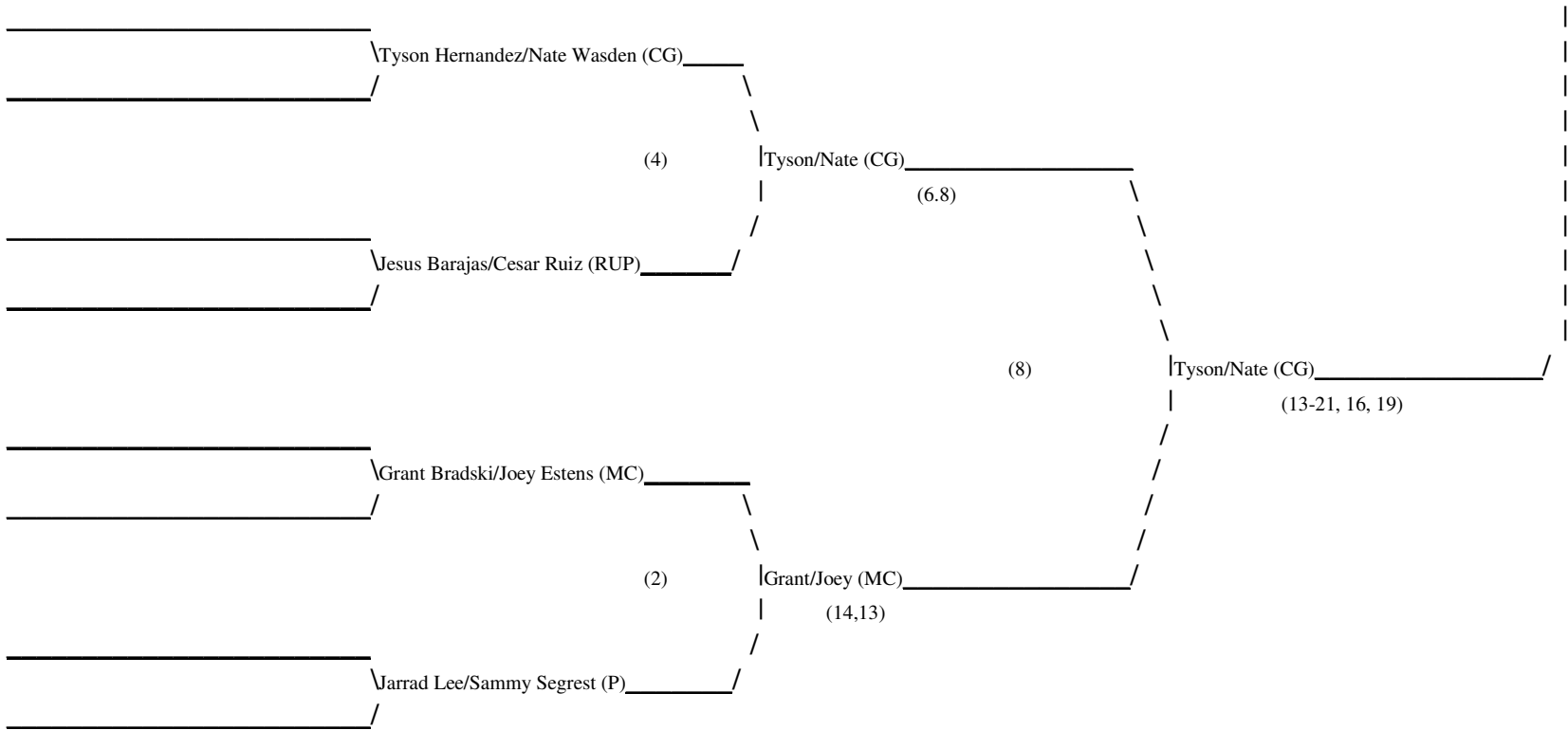
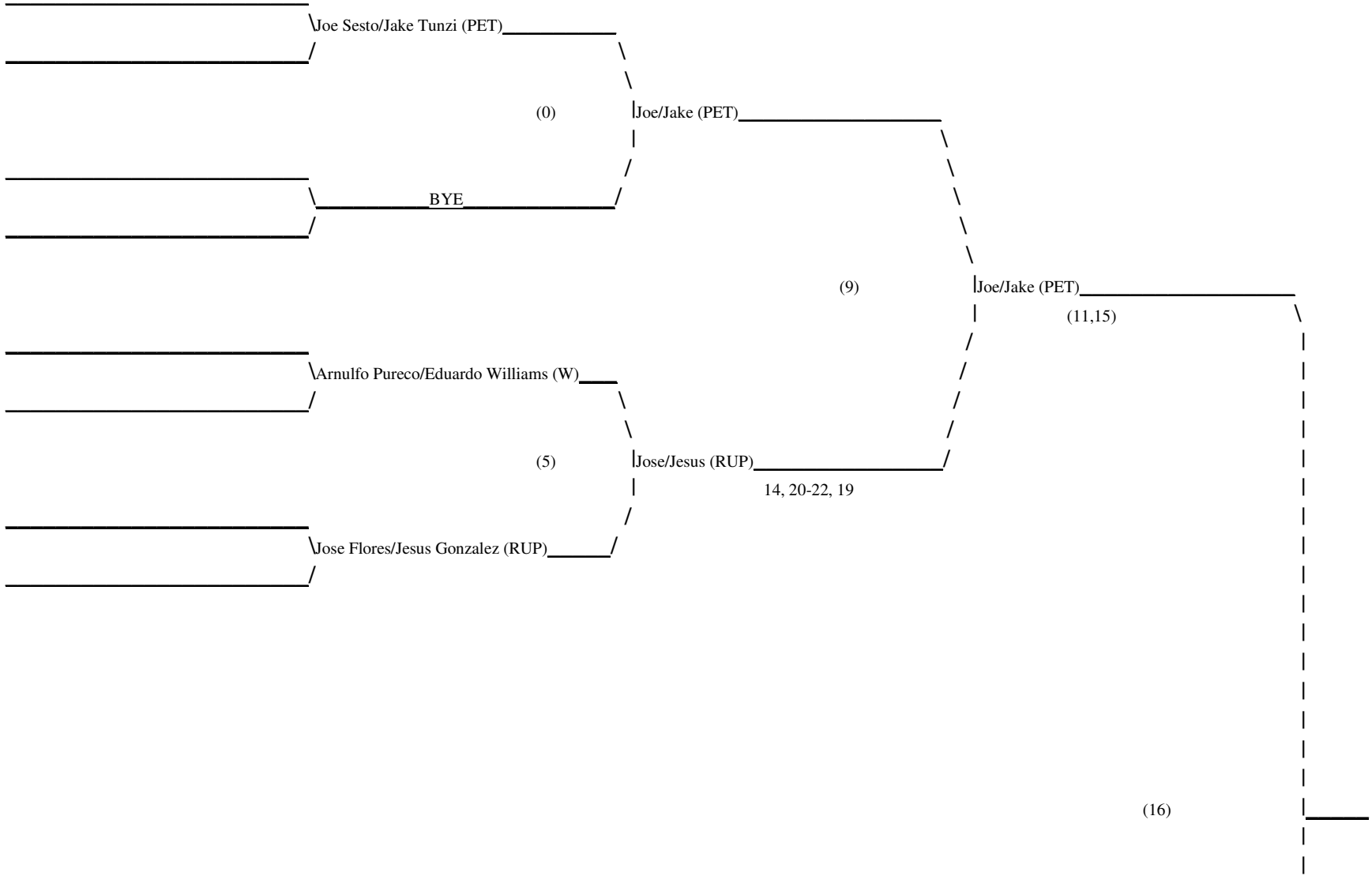
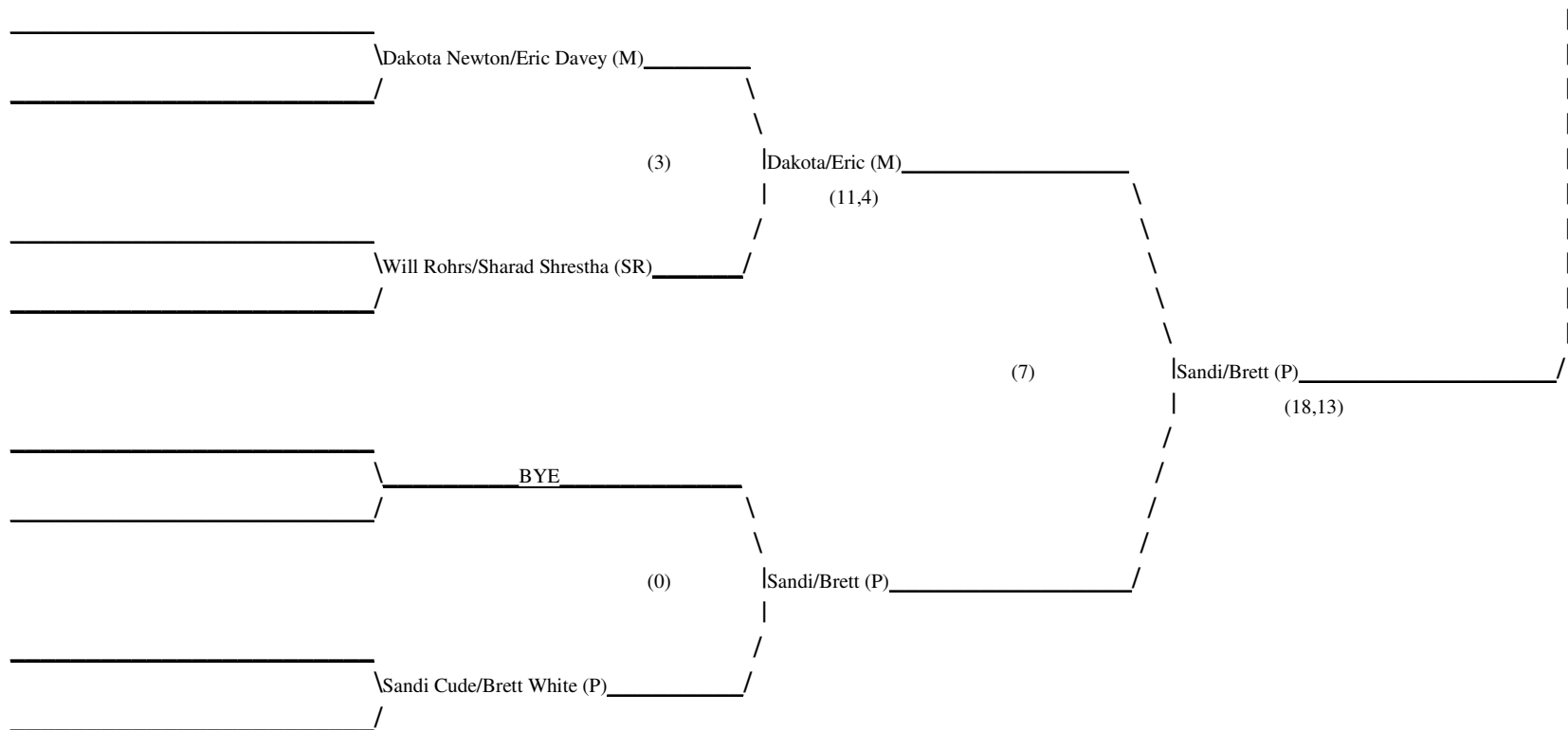


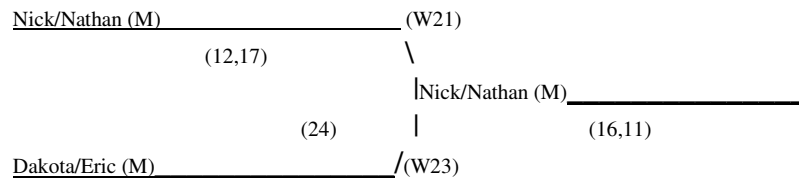
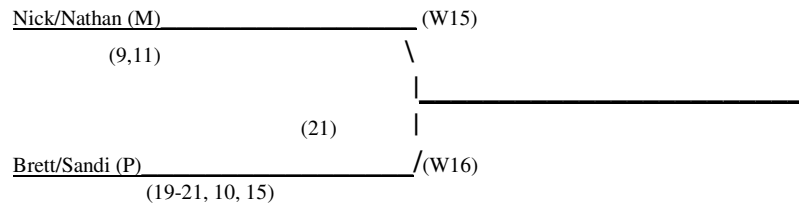
NBL Qualification and Ranking Tournament—Men's Doubles  
6 May 2009



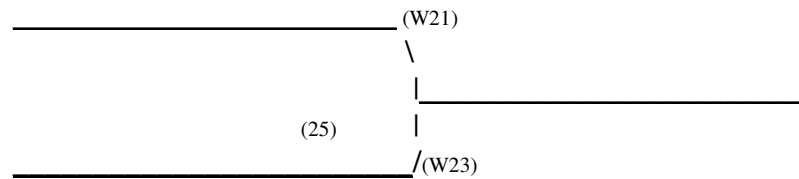




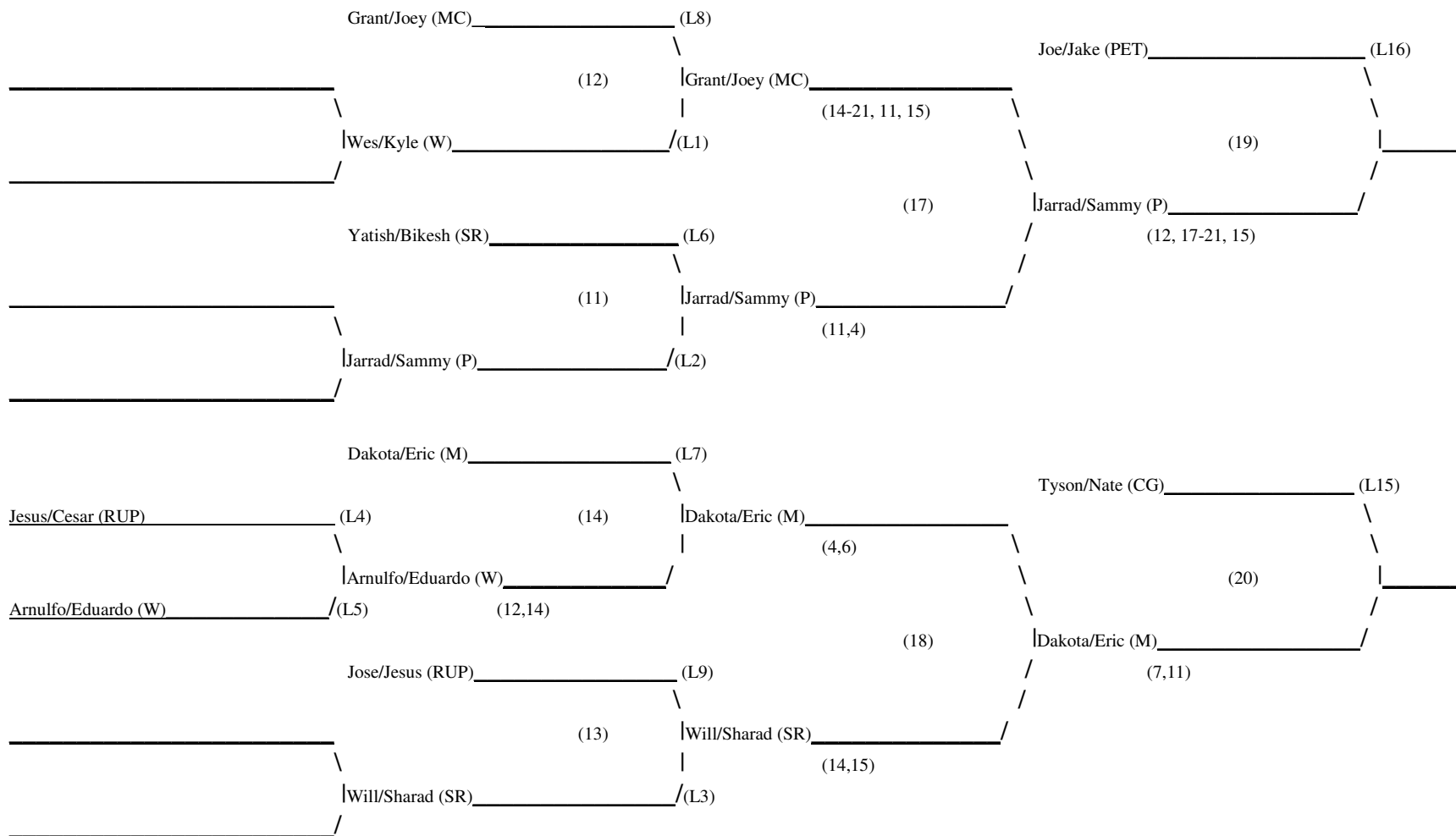


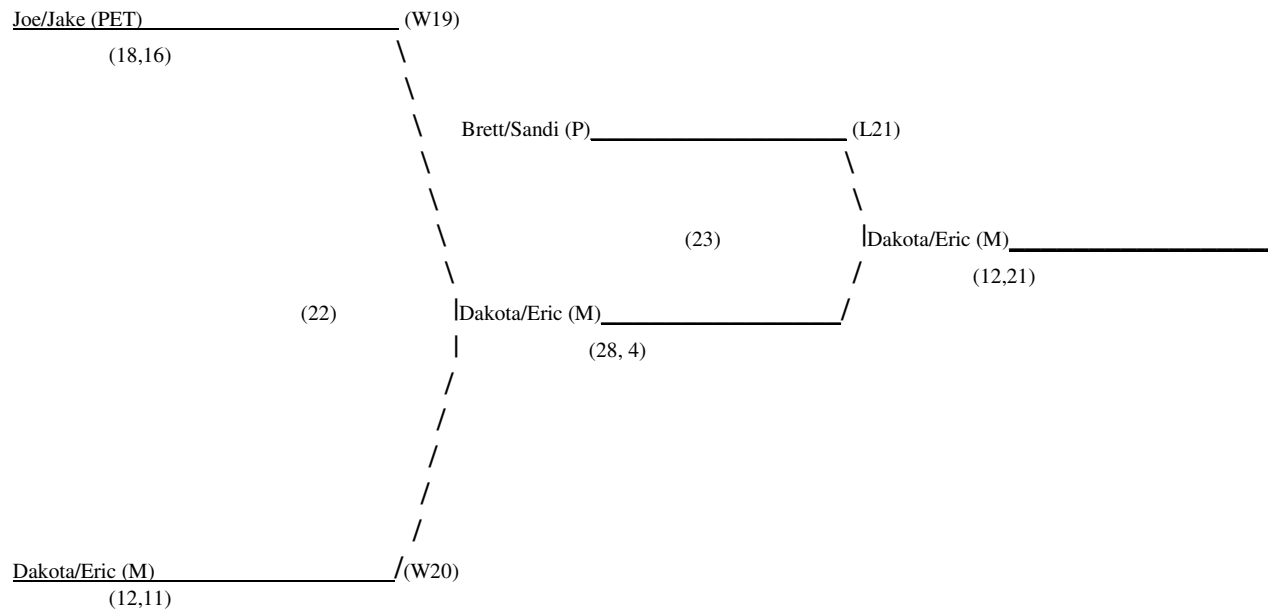


If winner of 21 losses in game 24 then



Carolyn was here!





- 1<sup>st</sup> Place: Nick Krause/Nathan Dalbeck (Montgomery)
- 2<sup>nd</sup> Place: Eric Davey/Dakota Newton (Montgomery)
- 3<sup>rd</sup> Place: Sand Cude/Brett White (Piner)
- 4<sup>th</sup> Place: Joe Sesto/Jake Tunzi (Petaluma)
- 5<sup>th</sup> Place: Tyson Hernandez/Nate Wasden (Casa Grande)

Tyson/Nate (CG) defeated Jarrad/Sammy (P): 15-21, 21-9, 23-21